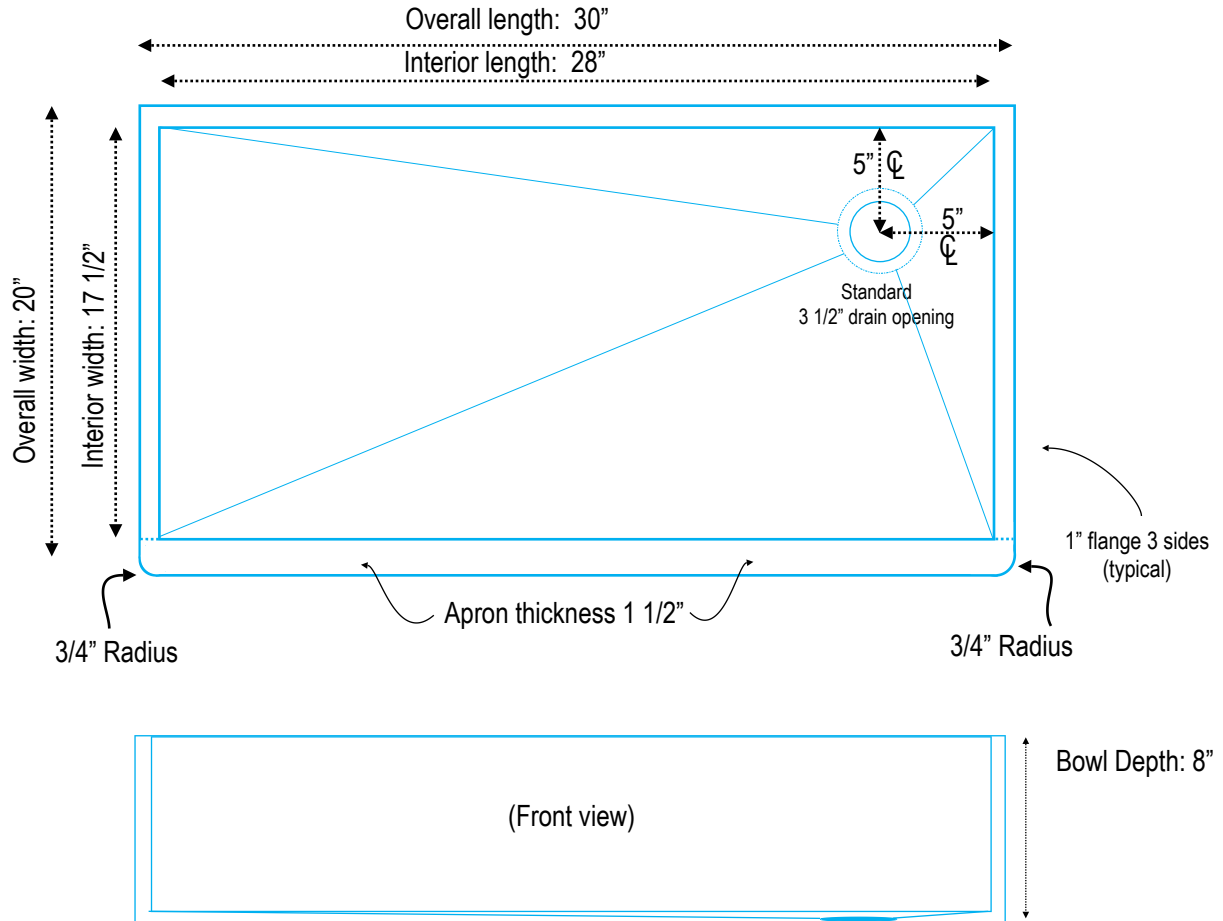


Antimicrobial  
Copper **Cu<sup>+</sup>**



Material: Copper

Exclusive Limited Lifetime Transferable Warranty

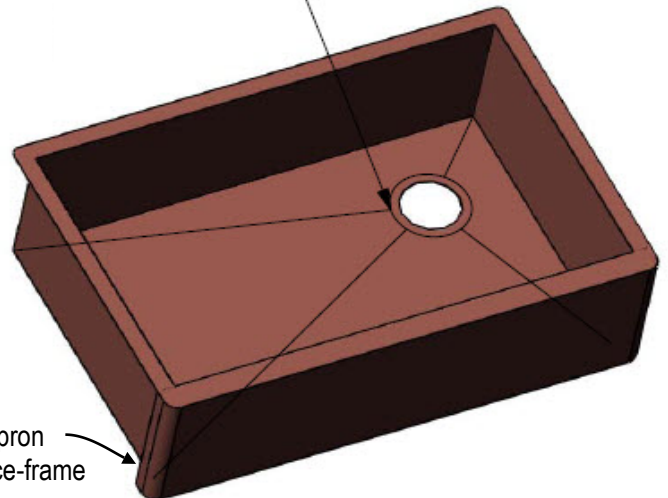
Apron Finish: Must be specified  
Bowl Finish: Rachiele exclusive self healing  
weathered patina.

Specifications: 99.9% pure lead and mercury free  
cold rolled 14 gauge virgin copper.

We anticipate that you will review these drawings, as we  
will be responsible for building a sink to these specifica-  
tions. If you are not qualified to read these plans, we  
assume you will have them reviewed by a qualified  
person before signing off on these drawings.

Rachiele, LLC  
74 West 2nd Street  
Apopka, FL 32703  
407-496-3596

Form Drain Lines & 3.5" Drain Hole To Provide  
Proper Drainage.



Exclusive Limited Lifetime Transferable Warranty