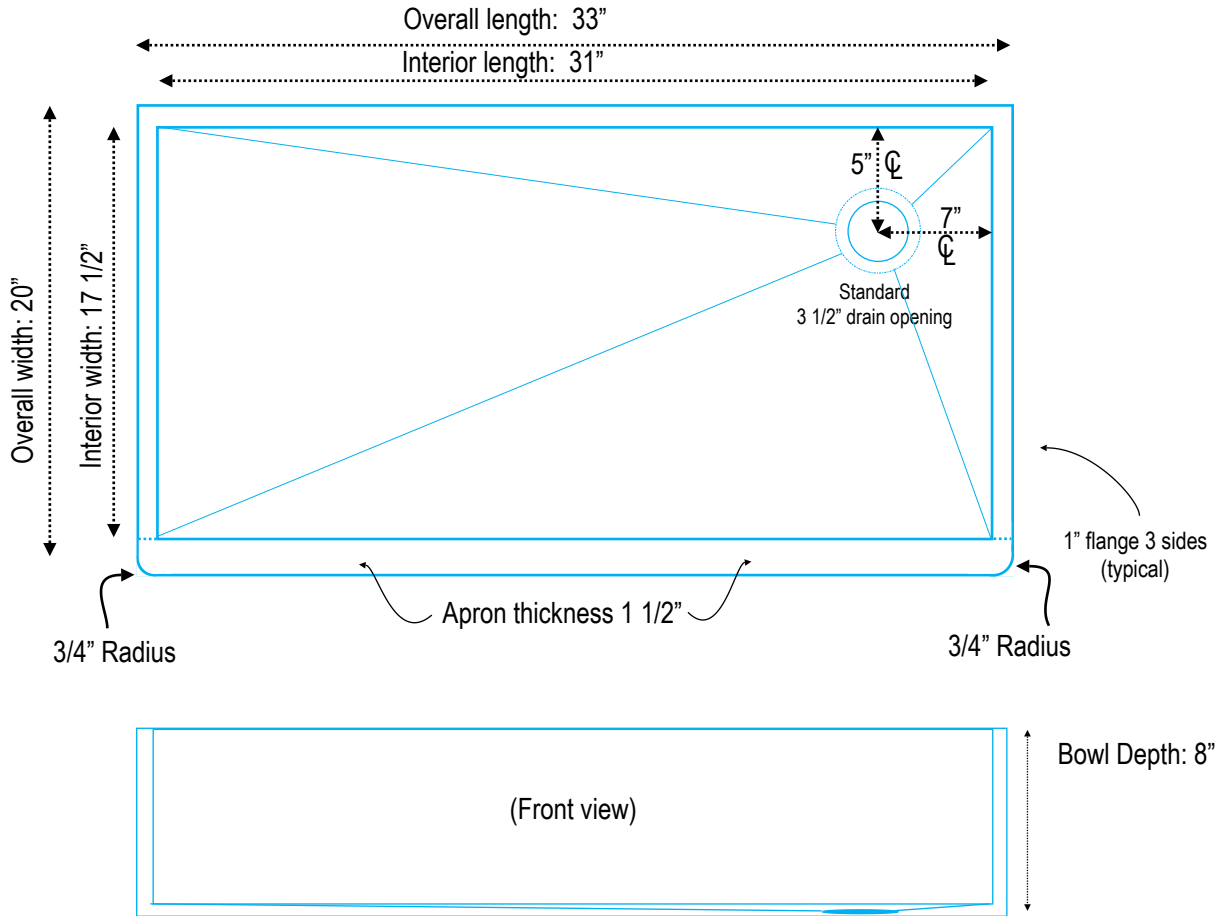




Custom manufactured single bowl
under mount sinks

Antimicrobial
Copper **Cu⁺**



Material: Copper

Exclusive Limited Lifetime Transferable Warranty

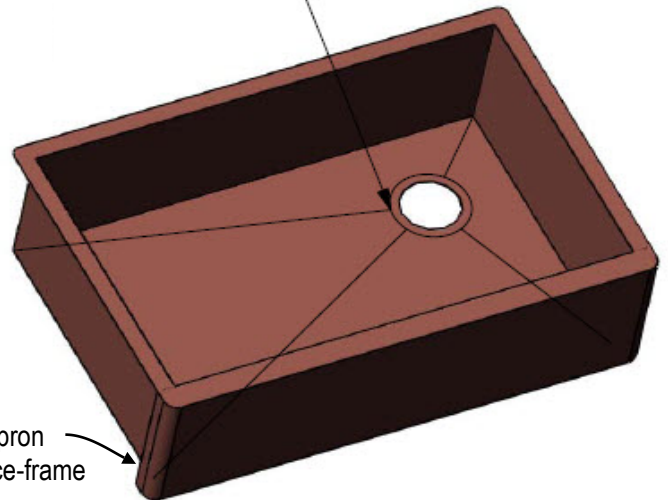
Apron Finish: Must be specified
Bowl Finish: Rachiele exclusive self healing weathered patina.

Specifications: 99.9% pure lead and mercury free cold rolled 14 gauge virgin copper.

We anticipate that you will review these drawings, as we will be responsible for building a sink to these specifications. If you are not qualified to read these plans, we assume you will have them reviewed by a qualified person before signing off on these drawings.

Rachiele, LLC
74 West 2nd Street
Apopka, FL 32703
407-496-3596

Form Drain Lines & 3.5" Drain Hole To Provide Proper Drainage.



Exclusive Limited Lifetime Transferable Warranty