

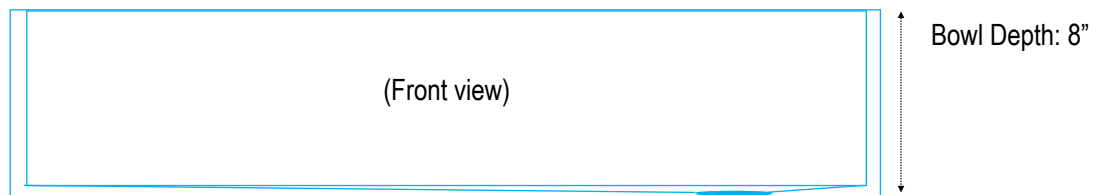
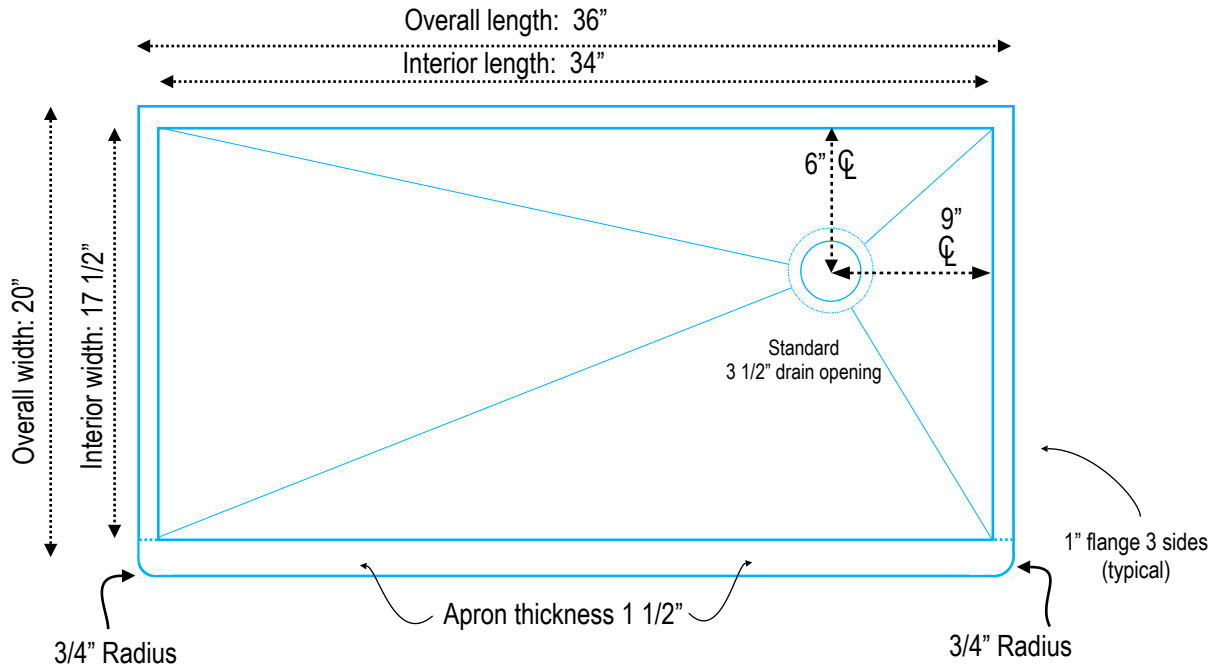


Kitchen and Bath Products
www.Rachiele.com 1-800-881-9044

Custom manufactured single bowl
under mount sink.

Antimicrobial
Copper **Cu⁺**

Not to scale



Material: Copper

Exclusive Limited Lifetime Transferable Warranty

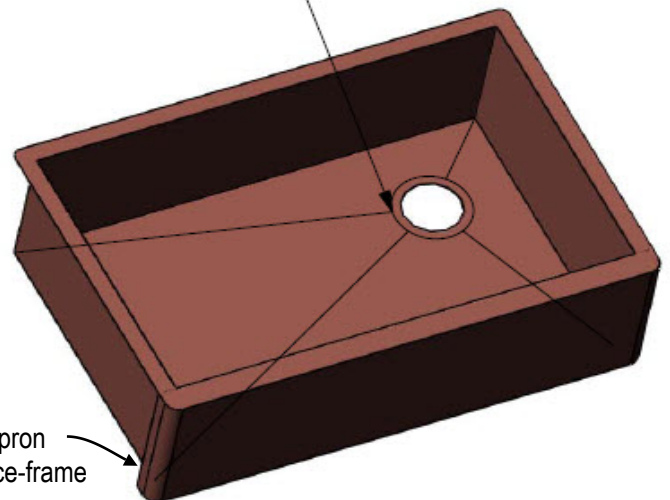
Apron Finish: Must be specified
Bowl Finish: Rachiele exclusive self healing
weathered patina.

Specifications: 99.9% pure lead and mercury free
cold rolled 14 gauge virgin copper.

We anticipate that you will review these drawings, as we
will be responsible for building a sink to these specifica-
tions. If you are not qualified to read these plans, we
assume you will have them reviewed by a qualified
person before signing off on these drawings.

Rachiele, LLC
74 West 2nd Street
Apopka, FL 32703
407-496-3596

Form Drain Lines & 3.5" Drain Hole To Provide
Proper Drainage.



This area of apron
should overlap face-frame
of cabinet.

Exclusive Limited Lifetime Transferable Warranty