

To whom it may concern,

It has been brought to my attention that the Kohler Vault series stainless sink K-3936 design is in direct violation of two of my patents. US D492,983 S and US D484,956 S

The description on the Kohler web site is almost exactly like the description we have had on our site since 2004.

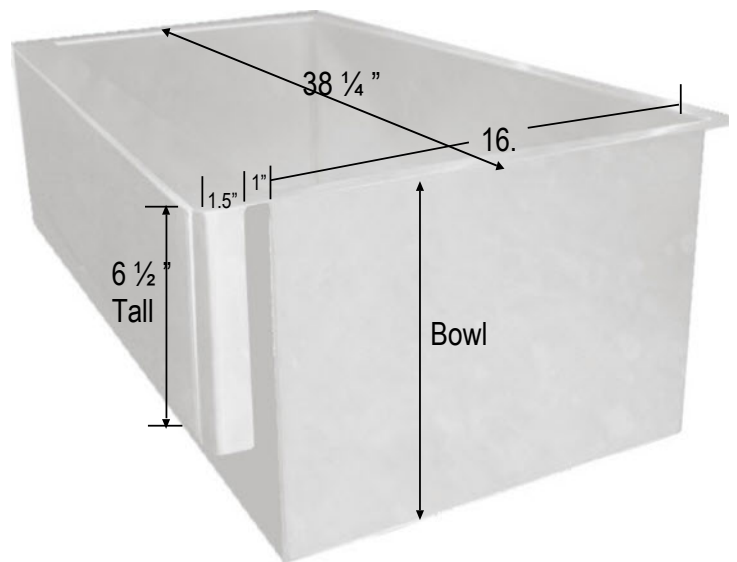
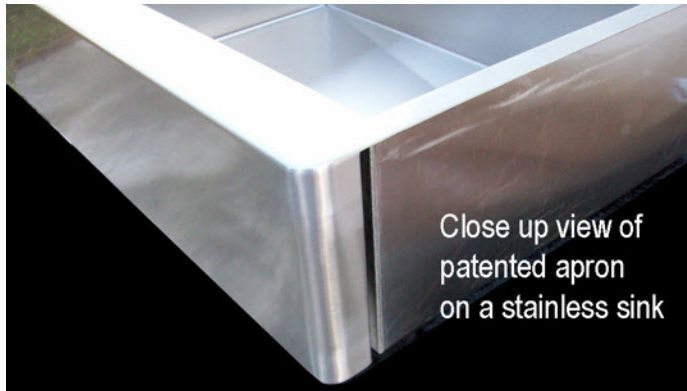
"Kohler description: Vault™ undercounter single basin stainless steel sink with shortened apron-front for 30" cabinet

The Vault undercounter single-basin apron-front sink features an innovative shortened, Self-Trimming™ apron. Unlike most apron-front or farmhouse sinks, the Vault apron-front sink can be installed in new standard cabinetry or retrofitted to existing standard cabinetry, and does not require a special apron-front cabinet. This makes it ideal for kitchen remodeling situations. The sink installation requires only that the cabinet's false drawer front be removed and a simple cut to the face of the cabinet be made. The unique Self-Trimming™ apron overlaps the face of the cabinet, ensuring consistently beautiful installation results."

This is a link to one of the pages on our web site where we illustrate my patented design:

http://www.rachiele.com/copper_apron_sinks_with-patent.asp

Below see illustrations of my design.

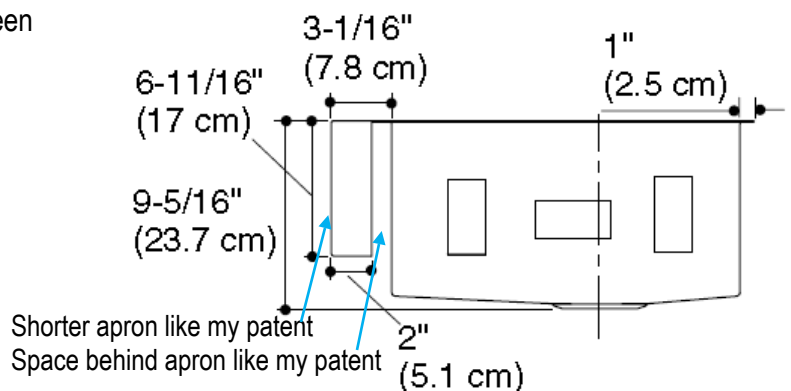


See Kohler Vault design: (Right)

This is virtually identical to the sink I patented and have been manufacturing since 2004.


Patent D484,956 purpose was to slip an apron portion of a sink over existing face frame of a cabinet

Patent D492.983 purpose was to patent any apron front sink where the apron is shorter than the bowl





We aggressively track all IP addresses that visit our site. We have numerous visits from the Kohler Company on record. One of the most recent visits is as follows. As you can see, this visitor was on the page where we illustrate our patented apron front sink. There have been several visits to the specific page where our patent is described.

IP Address:  [66.84.209.156](#)

ISP: Kohler Company


Entry Page Time: November 7th 2011 12:13:39 PM

Visit length: 13 seconds

Browser: Firefox 5.0

OS: Win7

Resolution: 1280x1024

Location: Sheboygan, Wisconsin, United States 

Returning Visits: November 7th 2011 12:13:52 PM

Entry Page: http://www.rachiele.com/copper_apron_sinks_with-patent.asp

Exit Page: <http://www.rachiele.com/dino-bio.asp>

I would like to discuss licensing the use of my patent and possibly other potentials such as giving us the opportunity to OEM copper sinks with my patented design (and other styles) for Kohler. Rachiele copper sinks are industry known as the finest copper sinks made in the world. We are the only residential copper sink manufacturer in the world that we are aware of, that can legally claim our copper sinks are antimicrobial according to the E.P.A. The Rachiele EPA registration number is 087953-FL-001.

99% of all copper sinks sold in the US are imported and cannot make that claim. Consumers are looking more and more for goods produced in the USA. Elkay came to us to build copper sinks years ago and decided to go with Native Trails (Mexican sinks) as we could not handle the volume at the time. We have, however, produced solid copper drains and disposal flanges for Elkay since that time.

I think a partnership between Rachiele and Kohler could be mutually beneficial. Both are US companies with high regard in the market place.

I look forward to a speedy and positive response. I can be reached by phone at 407-496-3596.

Sincerely,

Dino Rachiele
CEO