



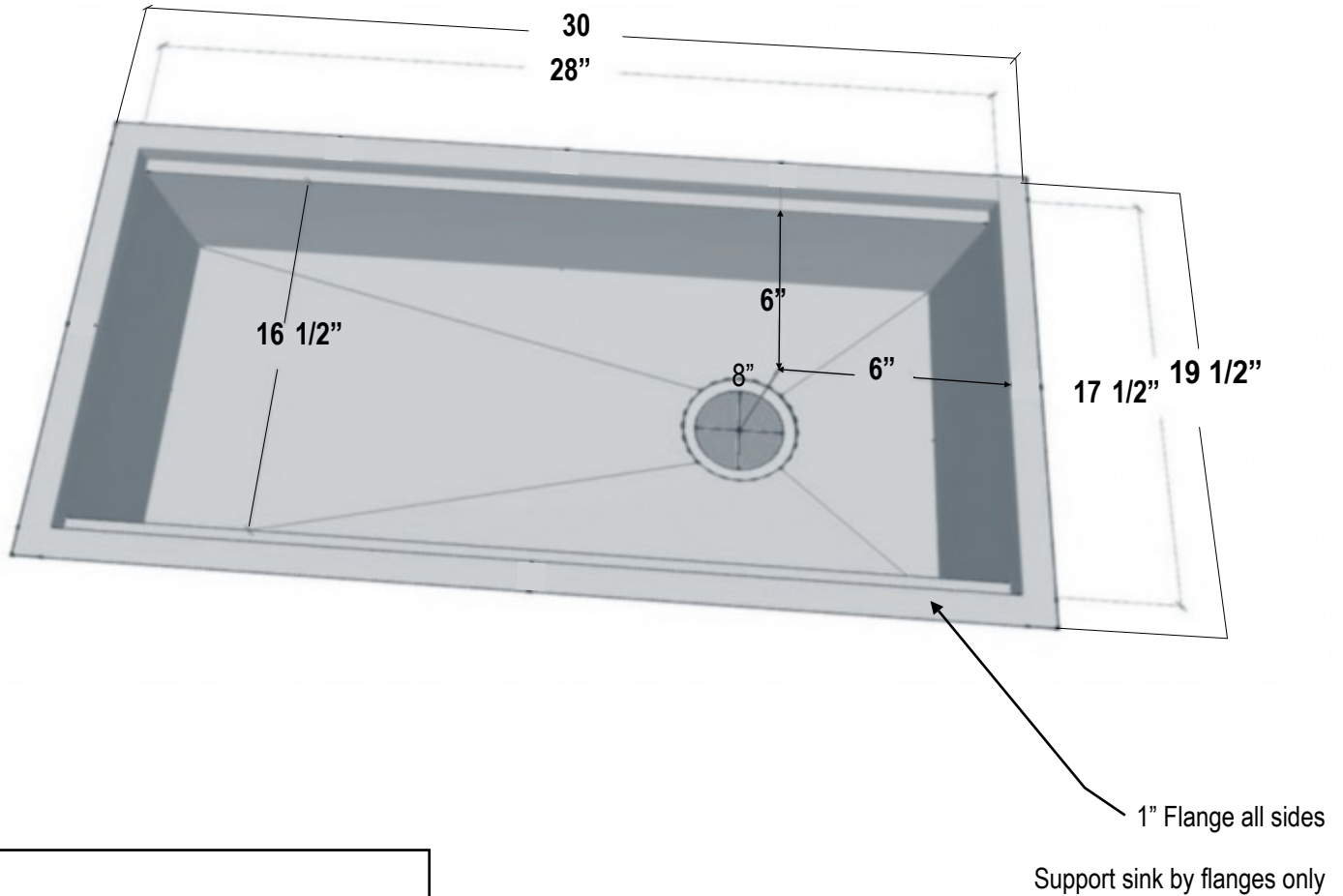
# RACHIELE

Kitchen and Bath Products  
www.Rachiele.com 1-800-881-9044  
*Sinks that Make Sense™*

**Signature Series**  
**Under Mount Sink Specifications**

This sink is designed to fit most 30" cabinets!

*Signature Series*



### Exclusive Limited Lifetime Transferable Warranty

We anticipate that you will review these drawings, as we will be responsible for building a sink to these specifications. If you are not qualified to read these plans, we assume you will have them reviewed by a qualified person before signing off on these drawings.

Rachiele, LLC  
74 West 2nd Street  
Apopka, FL 32703  
407-496-3596

Ledges are thoughtfully placed 2" down from top of sink. Cutting boards will rest below the surface of the countertop - allowing for rinsing in place without water flowing onto countertop.

NOT TO SCALE

Exclusive Limited Lifetime Transferable Warranty