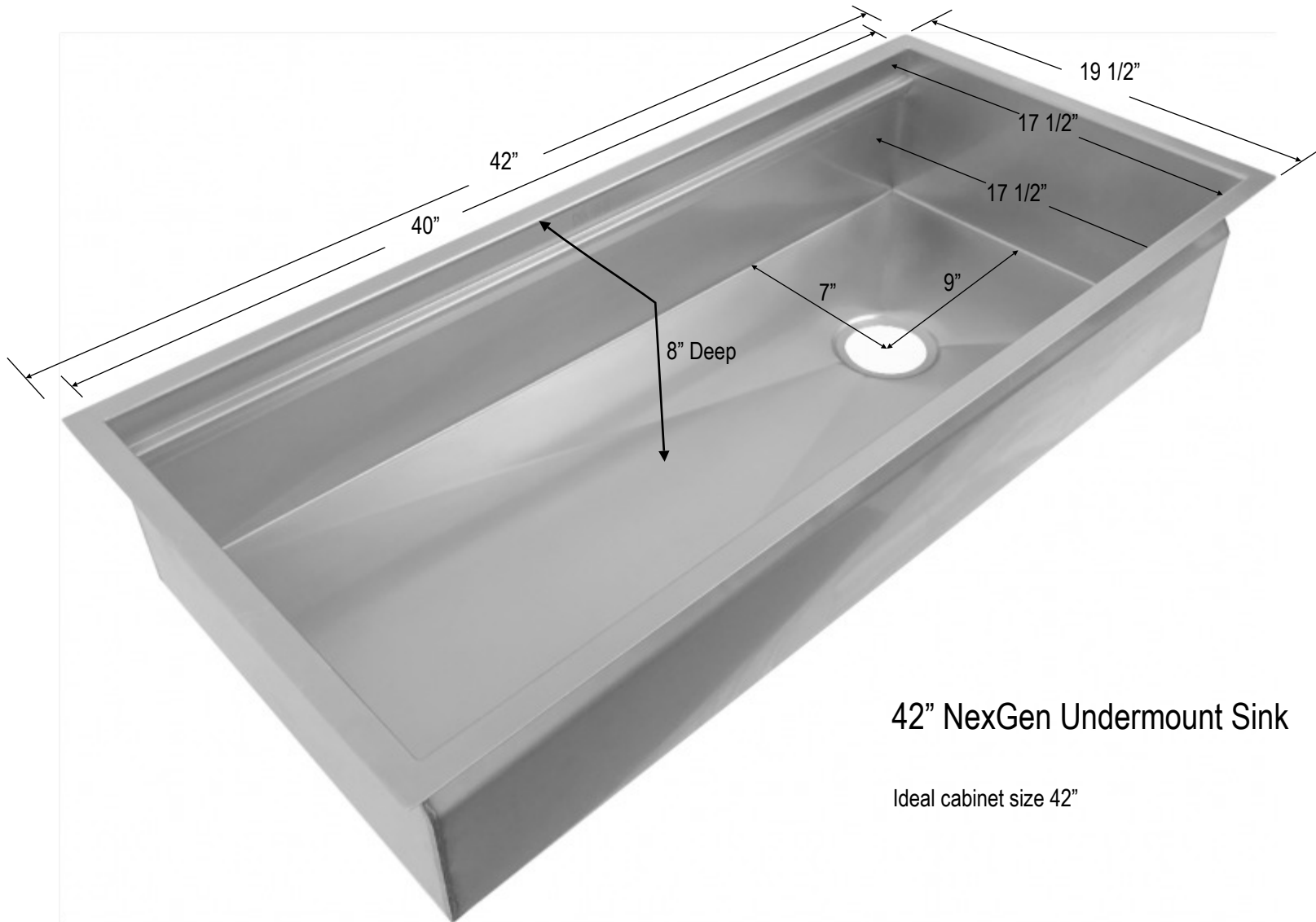




Design Copyright 2018  
*Dino Rachiele*



## 42" NexGen Undermount Sink

Ideal cabinet size 42"

Sink should be supported by flanges only. Sink gets deeper than 8" toward drain. Silicone should NEVER be used with a copper sink! Silicone is fine with stainless sinks. Plumbers putty is recommended with copper and stainless drain/flange installation.

**Important: Tell your counter fabricator to cut flush with the interior of the bowl. NO overhang, NO reveal.**